

4

3

2

1

F

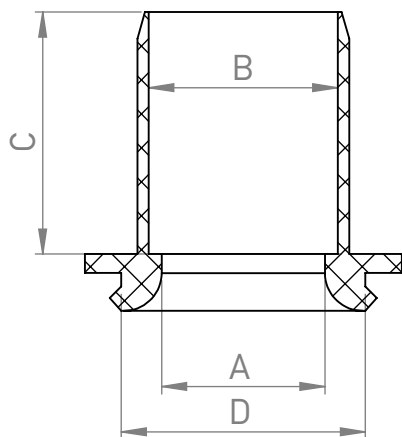
F

E

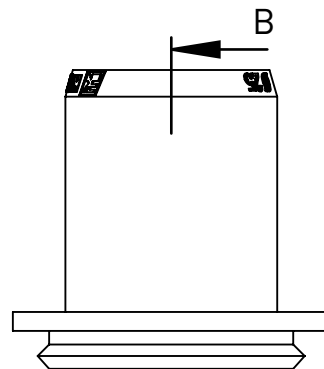
E

D

D



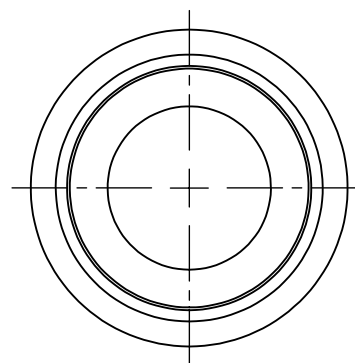
SECTION B-B



C

C

Prt.Nr.	Ø	A	B	C	D
4057016	16	13	16	18.5	20
4057020	20	16.5	20	22.5	20
4057025	25	21.5	25	32	33
4057032	32	27.5	32	35	33
Units	mm	mm	mm	mm	mm



B

B

UNLESS OTHERWISE SPECIFIED:
DIMENSIONS ARE IN MILLIMETERSSTANDARDS: EN 61386.01
COLOR: RAL 1023 Yellow

DO NOT SCALE DRAWING

SCALE:1:1

SURFACE FINISH:

MATERIAL: PO blend

PRODUCT NAME

TOLERANCES:

RoHS Regulation Applied

SUPERSOL® PLUS
ADAPTOR

LINEAR: 1%

ANGULAR: 1%

COMMENTS:

DWG NO.

4057-M-1

A

A

DRAWN

NAME

DATE

The rights of KOUVIDIS intellectual property upon this document are protected by Greek and European law against their use, usurpation, reproduction, trade, alteration, transmission, copy, transfer, distribution, re-publication by third parties and by any means of reason without the express prior written consent or authorization of KOUVIDIS. KOUVIDIS reserves all legal rights against anyone violating its rights as same have been explicitly mentioned above.

1

M.Charkiolakis

15/05/2026

SHEET 1 OF 1

A4

4

3

2

1