

4

3

2

1

F

F

E

E

D

D

C

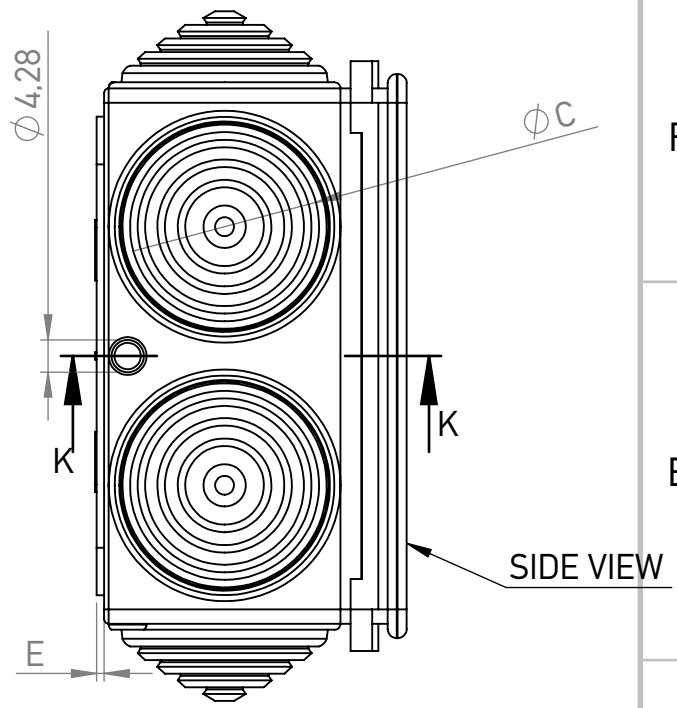
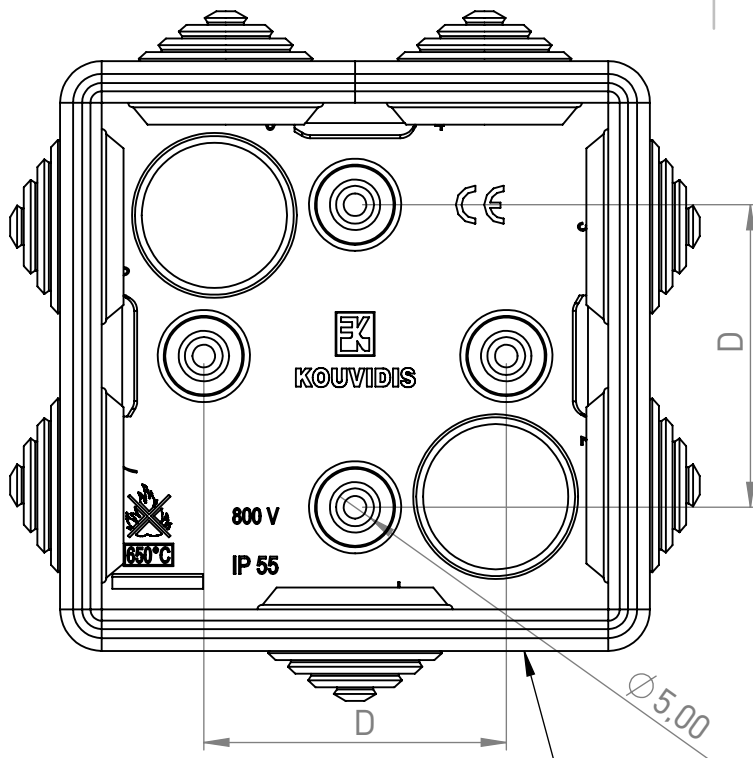
C

B

B

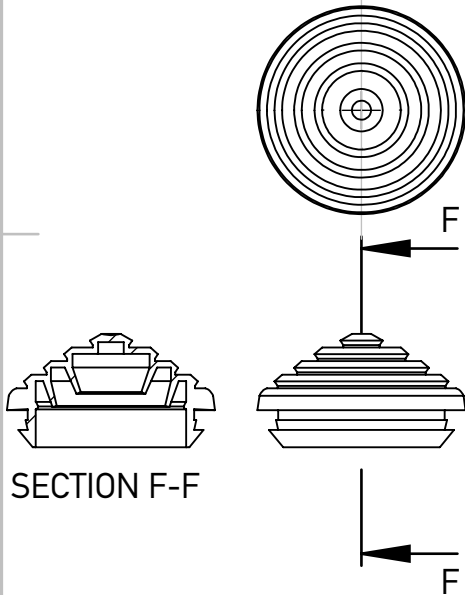
A

A



TOP VIEW

SIDE VIEW



SECTION F-F

SECTION K-K

LID

Prt.Nr.	A	B	C	D	E
3018016	67	38	21.6	40	1
3018020	82	43	21.6	47	2
3018025	101	51	35.1	49	1
Units	mm	mm	mm	mm	mm

UNLESS OTHERWISE SPECIFIED, DIMENSIONS ARE IN MILLIMETERS

STANDARDS:	EN 60670-22
COLOR:	GREY RAL 7035
MATERIAL:	PO blend
RoHS Regulation	Applied
INGRESS PROTECTION:	IP 55

DO NOT SCALE DRAWING

SCALE:1:1

PRODUCT NAME

CONDUR® JUNCTION BOX WITH GROMMETS

COMMENTS:

DWG NO.

3018-M-1

DRAWN

NAME

DATE

1

M.Charkiolakis

01/02/2024

The rights of KOUVIDIS intellectual property upon this document are protected by Greek and European law against their use, usurpation, reproduction, trade, alteration, transmission, copy, transfer, distribution, re-publication by third parties and by any means of reason without the express prior written consent or authorization of KOUVIDIS. KOUVIDIS reserves all legal rights against anyone violating its rights as same have been explicitly mentioned above.

SHEET 1 OF 1

A4

4

3

2

1