

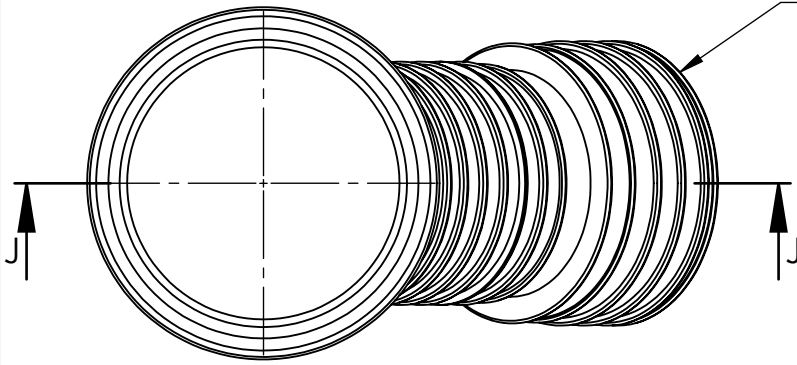
4

3

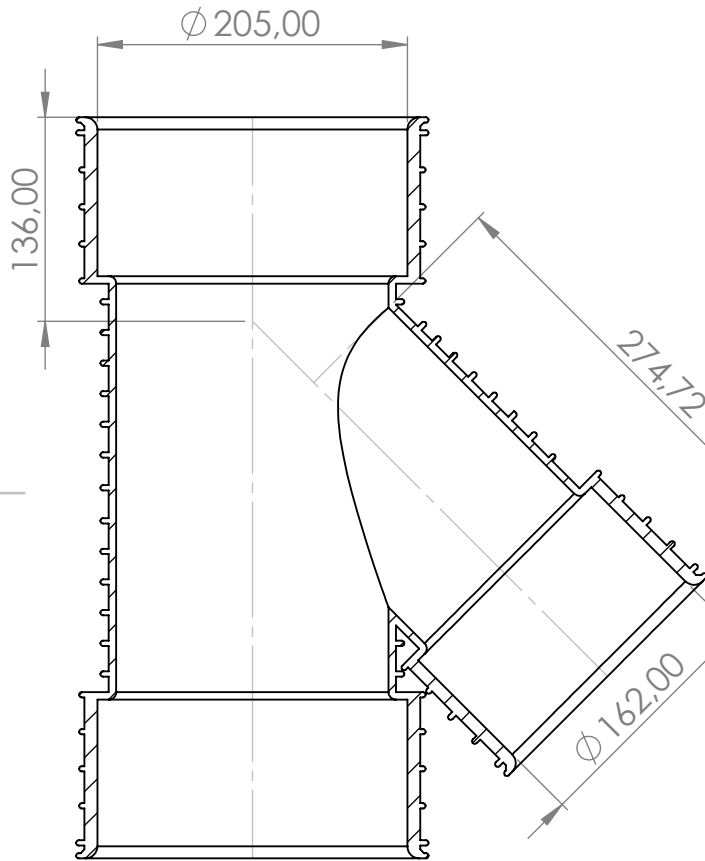
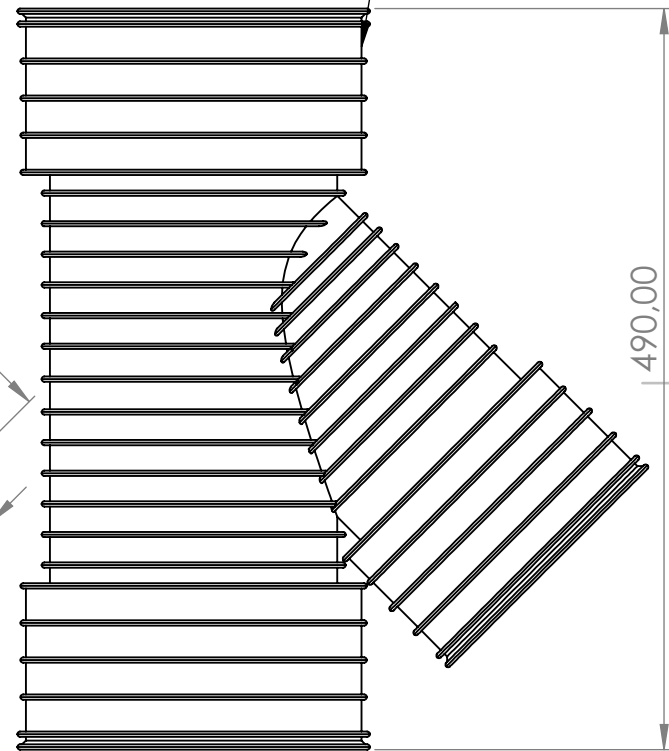
2

1

BOTTOM VIEW



SIDE VIEW



SECTION J-J

UNLESS OTHERWISE SPECIFIED:  
DIMENSIONS ARE IN MILLIMETERS

STANDARDS: EN 13476-3

DO NOT SCALE DRAWING

SCALE:1:5

COLOR: BLACK RAL 9004

PRODUCT NAME

SURFACE FINISH:

MATERIAL: HDPE

TOLERANCES:

LINEAR: 1%

ANGULAR: 1%

COMMENTS:

PRT. NR. 6120000

DWG NO.

REDUCING BRANCH 45°

6120-M-1

DRAWN

NAME

DATE

The rights of KOUVIDIS intellectual property upon this document are protected by Greek and European law against their use, usurpation, reproduction, trade, alteration, transmission, copy, transfer, distribution, re-publication by third parties and by any means of reason without the express prior written consent or authorization of KOUVIDIS. KOUVIDIS reserves all legal rights against anyone violating its rights as same have been explicitly mentioned above.

1

N.Kargatzis

25/06/2020

SHEET 1 OF 1

A4

4

3

2

1