

4

3

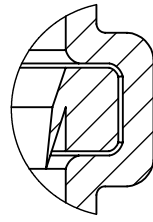
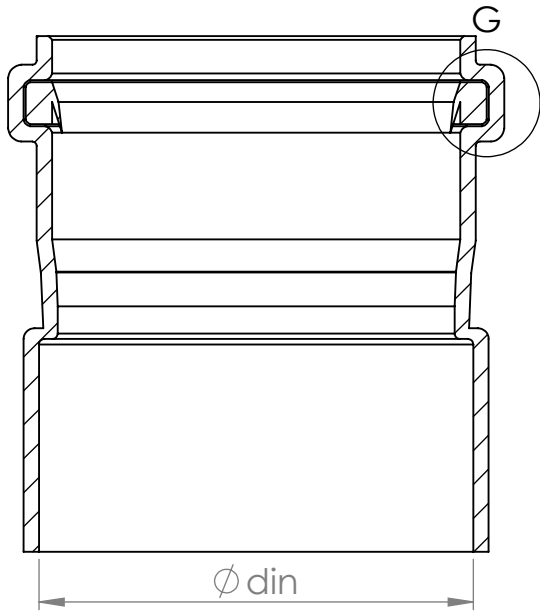
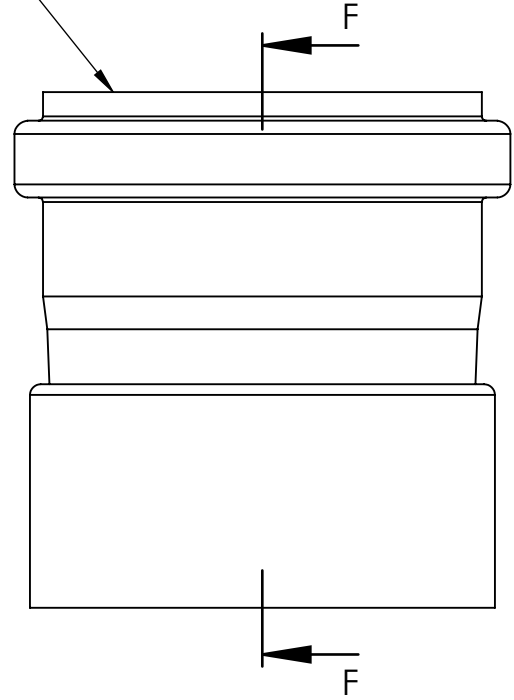
2

1

F

F

SIDE VIEW

DETAIL G  
SCALE 2 : 7

E

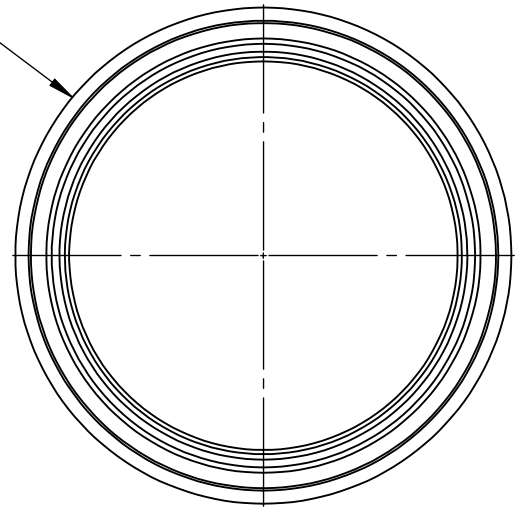
E

D

D

 $\varnothing$  din  
SECTION F-F

TOP VIEW




C

C

Prt.Nr.	Ø	din
6119001	200	200
6119002	250	250
6119003	315	315
6119004	400	400
6119005	500	500
Units	mm	mm

B

B

UNLESS OTHERWISE SPECIFIED: DIMENSIONS ARE IN MILLIMETERS		STANDARDS:	EN 13476-3	DO NOT SCALE DRAWING	SCALE:1:7
SURFACE FINISH:		COLOR:	BLACK RAL 9004, YELLOW RAL 1017	PRODUCT NAME	
TOLERANCES:		MATERIAL:	HDPE	<b>FEMALE JOLLY FOR GEOSAN® PE PIPES</b>	
LINEAR: 1%					
ANGULAR: 1%					
COMMENTS:		DWG NO.			
		<b>6119-M-1</b>			
DRAWN	NAME	DATE	The rights of KOUVIDIS intellectual property upon this document are protected by Greek and European law against their use, usurpation, reproduction, trade, alteration, transmission, copy, transfer, distribution, re-publication by third parties and by any means of reason without the express prior written consent or authorization of KOUVIDIS. KOUVIDIS reserves all legal rights against anyone violating its rights as same have been explicitly mentioned above.		
1	N.Kargatzis	25/06/2020	SHEET 1 OF 1		

A

A

4

3

2

1

A4