

4

3

2

1

F

F

E

E

D

D

C

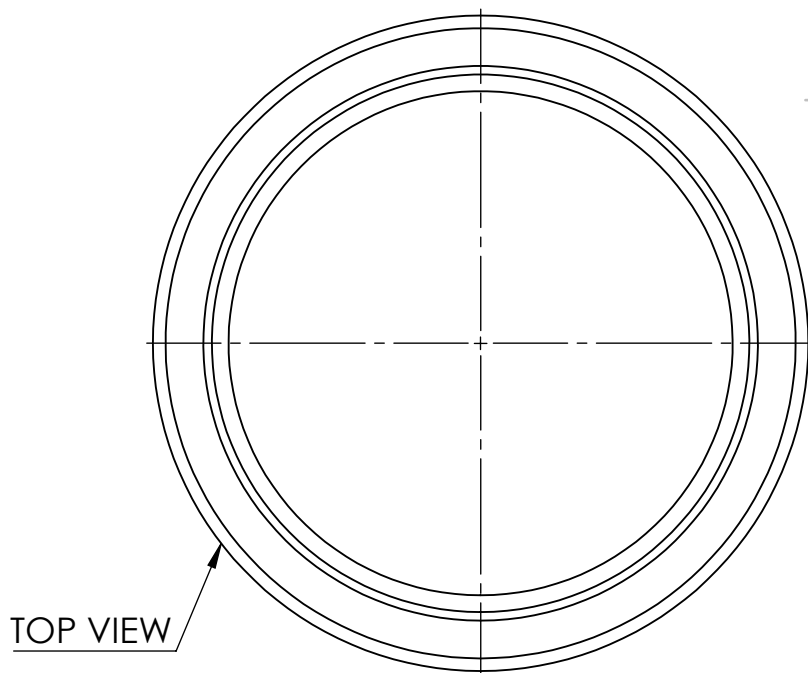
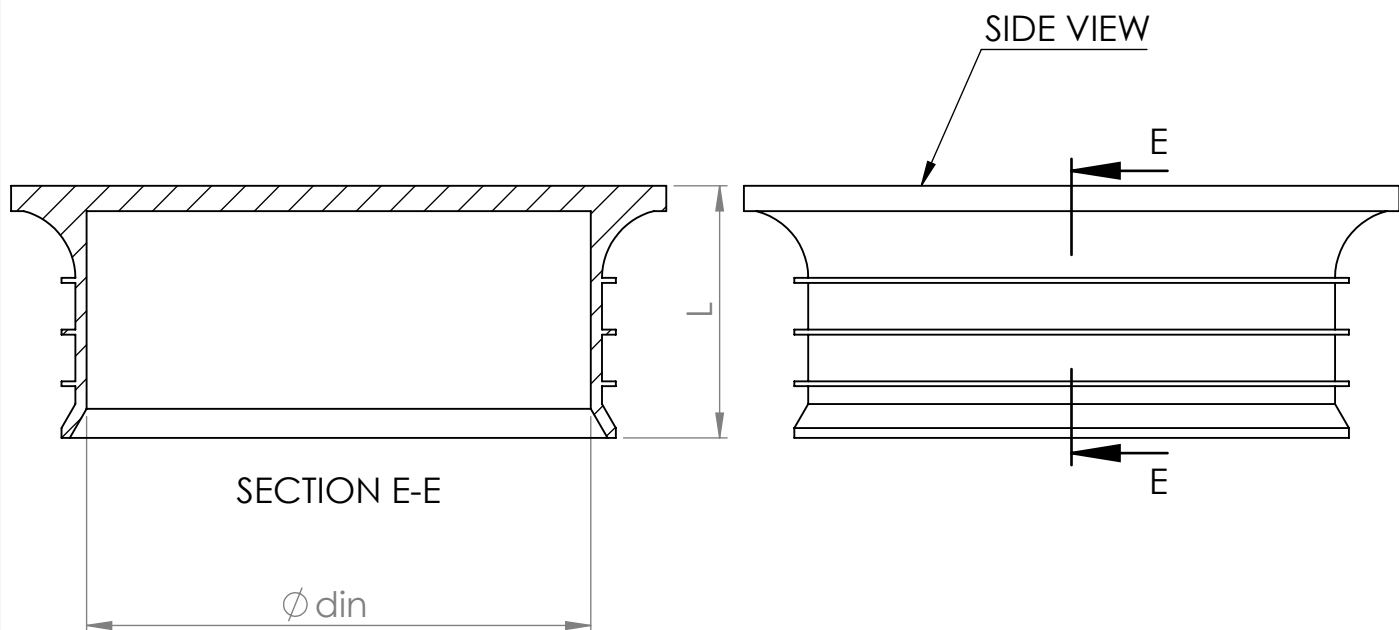
C

B

B

A

A



Prt.Nr.	$\varnothing$	L	din
6112000	160	100	160
6112001	200	130	200
6112002	250	150	250
6112003	315	180	315
6112004	400	230	400
6112005	500	300	500
6112006	630	400	630
Units	mm	mm	mm

TOP VIEW

UNLESS OTHERWISE SPECIFIED:  
DIMENSIONS ARE IN MILLIMETERS

COLOR: BLACK RAL 9004, YELLOW RAL 1017

DO NOT SCALE DRAWING

SCALE:1:3

SURFACE FINISH:

MATERIAL: HDPE

PRODUCT NAME

TOLERANCES:

RoHS Regulation Applied

FEMALE END CAP  
FOR GEOSAN® PE

LINEAR: 1%

ANGULAR: 1%

COMMENTS:

DWG NO.

6112-M-1

DRAWN

NAME

DATE

The rights of KOUVIDIS intellectual property upon this document are protected by Greek and European law against their use, usurpation, reproduction, trade, alteration, transmission, copy, transfer, distribution, re-publication by third parties and by any means of reason without the express prior written consent or authorization of KOUVIDIS. KOUVIDIS reserves all legal rights against anyone violating its rights as same have been explicitly mentioned above.

1

N.Kargatzis

28/05/2020

SHEET 1 OF 1

A4

4

3

2

1