

4

3

2

1

F

F

E

E

D

D

C

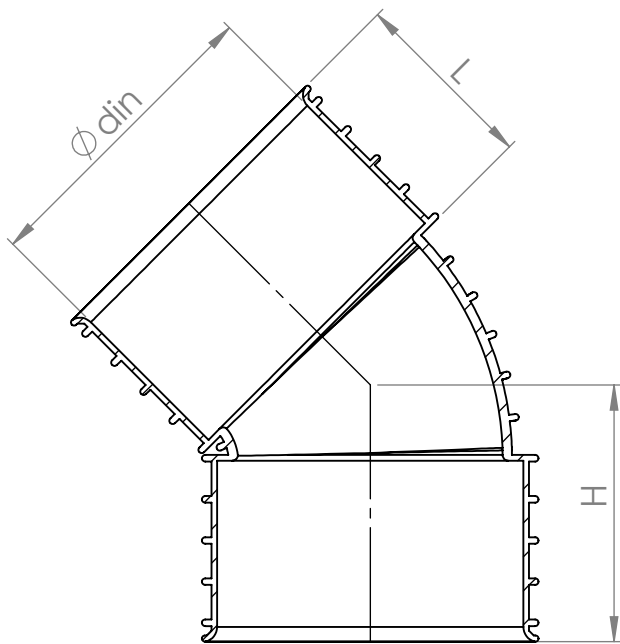
C

B

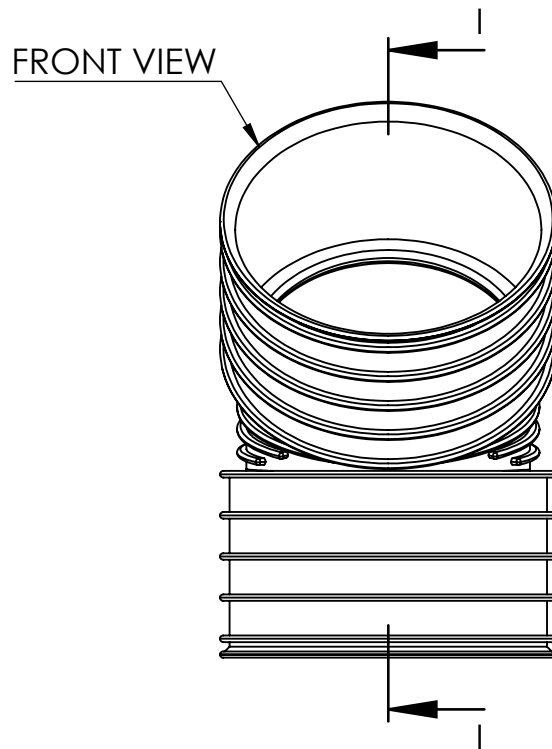
B

A

A

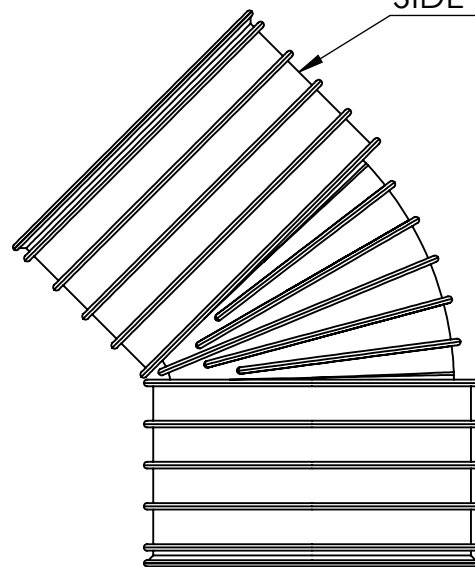


SECTION I-I



FRONT VIEW

SIDE VIEW



Prt.Nr.	din	L	H
6105000	160	99	136
6105001	200	128	175
6105002	250	140	215
6105003	315	150	270
6105004	400	210	345
6105005	500	230	420
Units	mm	mm	mm

UNLESS OTHERWISE SPECIFIED:  
DIMENSIONS ARE IN MILLIMETERS

STANDARDS:

EN 13476-3

DO NOT SCALE DRAWING

SCALE:1:4

SURFACE FINISH:

COLOR:

BLACK RAL 9004

PRODUCT NAME

TOLERANCES:

MATERIAL:

HDPE

**BENDS 45°**

LINEAR: 1%

ANGULAR: 1%

COMMENTS:

DWG NO.

**6105-M-1****KOUVIDIS**

DRAWN

NAME

DATE

The rights of KOUVIDIS intellectual property upon this document are protected by Greek and European law against their use, usurpation, reproduction, trade, alteration, transmission, copy, transfer, distribution, re-publication by third parties and by any means of reason without the express prior written consent or authorization of KOUVIDIS. KOUVIDIS reserves all legal rights against anyone violating its rights as same have been explicitly mentioned above.

1

N.Kargatzis

25/06/2020

SHEET 1 OF 1

A4

4

3

2

1