

4

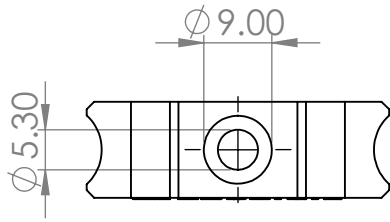
3

2

1

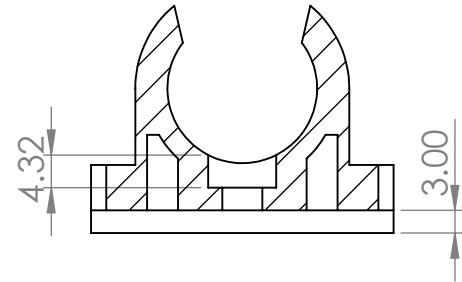
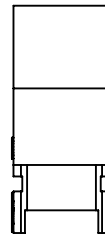
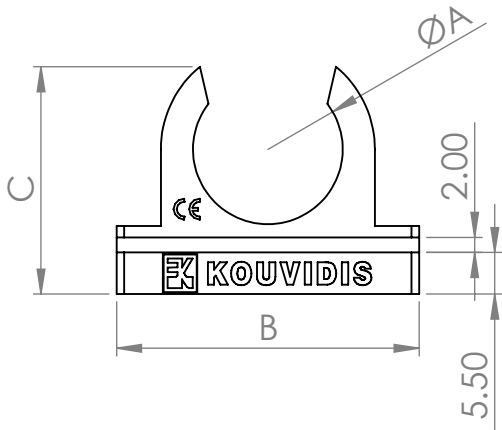
F

F



E

E



SECTION D-D

D

D



C

C

Prt.Nr.	Ø	A	B	C
4144016	16	15.8	35	25.5
4144020	20	19.8	40	30
4144025	25	24.8	46	34.75
4144032	32	31.8	53	41.3
4144040	40	39.8	63	48.8
4144050	50	49.8	74	57.4
4144063	63	62.8	88	70
Units	mm	mm	mm	mm

B

B

UNLESS OTHERWISE SPECIFIED:
DIMENSIONS ARE IN MILLIMETERS

STANDARDS: EN 61386.01

DO NOT SCALE DRAWING

SCALE:1:1

COLOR: WHITE RAL 9003

PRODUCT NAME

SURFACE FINISH:

MATERIAL: PC

**MEDISOL® AM
CLIP**

TOLERANCES:

RoHS Regulation Applied

LINEAR: 1%

ANGULAR: 1%

COMMENTS:

DWG NO.

4144-M-1

KOUVIDIS

A

A

DRAWN

NAME

DATE

The rights of KOUVIDIS intellectual property upon this document are protected by Greek and European law against their use, usurpation, reproduction, trade, alteration, transmission, copy, transfer, distribution, re-publication by third parties and by any means of reason without the express prior written consent or authorization of KOUVIDIS. KOUVIDIS reserves all legal rights against anyone violating its rights as same have been explicitly mentioned above.

1

N.Kargatzis

28/05/2020

SHEET 1 OF 1

A4

4

3

2

1