

4

3

2

1

F

F

E

E

D

D

C

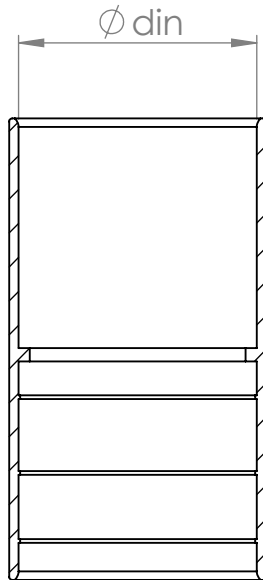
C

B

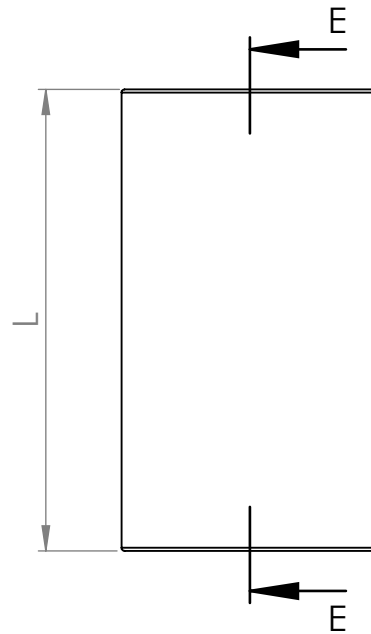
B

A

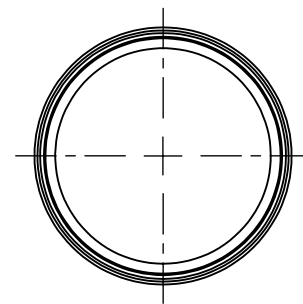
A




SECTION E-E



Prt.Nr.	Ø	din	L
4017016	16	17.7	52.3
4017020	20	19.75	51.5
4017025	25	24.5	51.5
4017032	32	31.5	65
Units	mm	mm	mm



UNLESS OTHERWISE SPECIFIED: DIMENSIONS ARE IN MILLIMETERS			STANDARDS:	EN 61386.01	DO NOT SCALE DRAWING	SCALE:1:1
SURFACE FINISH:			COLOR:	RED RAL 3020	DUROFLEX®PLUS / SUPERFLEX PLUS COUPLER	
TOLERANCES:			MATERIAL:	HDPE		
LINEAR: 1%			RoHS Regulation	Applied		
ANGULAR: 1%						
COMMENTS:			DWG NO.			
			4017-M-1			
DRAWN	NAME	DATE	The rights of KOUVIDIS intellectual property upon this document are protected by Greek and European law against their use, usurpation, reproduction, trade, alteration, transmission, copy, transfer, distribution, re-publication by third parties and by any means of reason without the express prior written consent or authorization of KOUVIDIS. KOUVIDIS reserves all legal rights against anyone violating its rights as same have been explicitly mentioned above.			
1	N.Kargatzis	28/05/2020	SHEET 1 OF 1			

4

3

2

1

A4