

4

3

2

1

F

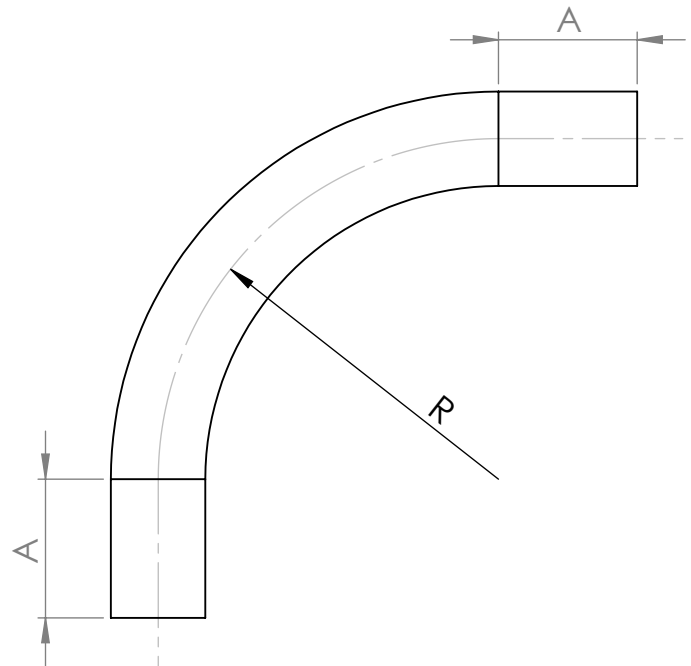
F

E

E

D

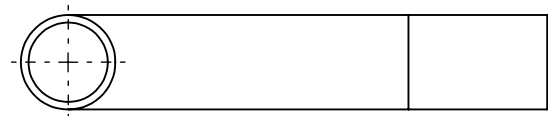
D



C

C

Prt.Nr.	Ø	Dout	din	A	R
4013016	16	16	12.5	27	59
4013020	20	20	16.2	35	74
4013025	25	25	20.8	36.7	108
4013032	32	32	27.5	47.6	142
4013040	40	40	34.8	52.9	144
4013050	50	50	45.1	62	175
4013063	63	63	57.0	77	203
Units	mm	mm	mm	mm	mm



B

B

UNLESS OTHERWISE SPECIFIED: DIMENSIONS ARE IN MILLIMETERS		STANDARDS:	EN 61386.21	DO NOT SCALE DRAWING	SCALE:1:2
SURFACE FINISH:		COLOR:	GREY RAL 7035	PRODUCT NAME CONDUR® HF BEND	
TOLERANCES:		MATERIAL:	PC		
LINEAR: 1%		RoHS Regulation	Applied		
ANGULAR: 1%		DWG NO.		KOUVIDIS	
COMMENTS:		4013-M-1			
DRAWN	NAME	DATE	The rights of KOUVIDIS intellectual property upon this document are protected by Greek and European law against their use, usurpation, reproduction, trade, alteration, transmission, copy, transfer, distribution, re-publication by third parties and by any means of reason without the express prior written consent or authorization of KOUVIDIS. KOUVIDIS reserves all legal rights against anyone violating its rights as same have been explicitly mentioned above.		
1	N.Kargatzis	28/05/2020	SHEET 1 OF 1		A4

A

A

4

3

2

1