

4

3

2

1

F

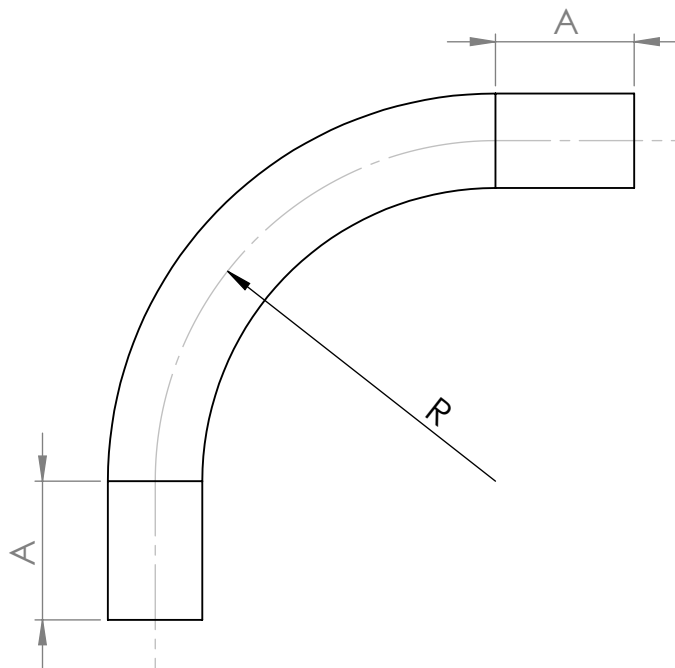
F

E

E

D

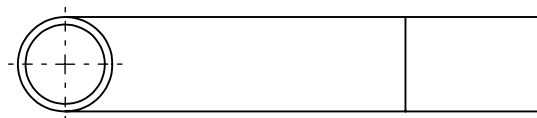
D



C

C

Prt.Nr.	Ø	Dout	din	A	R
4007016	16	16	12.1	27	59
4007020	20	20	16.0	35	74
4007025	25	25	20.9	36.7	108
4007032	32	32	27.4	47.6	142
4007040	40	40	35.1	52.9	144
4007050	50	50	44.7	62	175
4007063	63	63	57.2	77	203
Units	mm	mm	mm	mm	mm



B

B

UNLESS OTHERWISE SPECIFIED:  
DIMENSIONS ARE IN MILLIMETERS

STANDARDS: EN 61386.21

DO NOT SCALE DRAWING

SCALE:1:2

SURFACE FINISH:

COLOR: GREY RAL 7035

PRODUCT NAME

TOLERANCES:

MATERIAL: U-PVC

**CONDUR® BEND**

LINEAR: 1%

RoHS Regulation Applied

ANGULAR: 1%

COMMENTS:

DWG NO.

**4007-M-1****KOUVIDIS®**

A

A

DRAWN

NAME

DATE

The rights of KOUVIDIS intellectual property upon this document are protected by Greek and European law against their use, usurpation, reproduction, trade, alteration, transmission, copy, transfer, distribution, re-publication by third parties and by any means of reason without the express prior written consent or authorization of KOUVIDIS. KOUVIDIS reserves all legal rights against anyone violating its rights as same have been explicitly mentioned above.

1

N.Kargatzis

28/05/2020

SHEET 1 OF 1

A4

4

3

2

1