

4

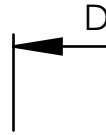
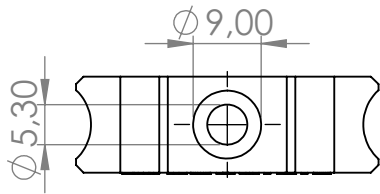
3

2

1

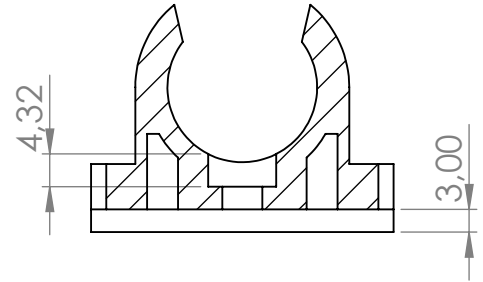
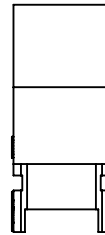
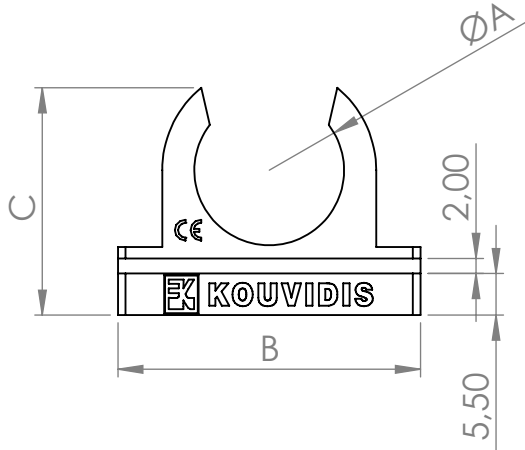
F

F



E

E



SECTION D-D

D

D



C

C

Prt.Nr.	Ø	A	B	C
4003016	16	15.8	35	25.5
4003020	20	19.8	40	30
4003025	25	24.8	46	34.75
4003032	32	31.8	53	41.3
4003040	40	39.8	63	48.8
4003050	50	49.8	74	57.4
4003063	63	62.8	88	70
Units	mm	mm	mm	mm

B

B

UNLESS OTHERWISE SPECIFIED:
DIMENSIONS ARE IN MILLIMETERSSTANDARDS: EN 61386.01
COLOR: GREY RAL 7035

DO NOT SCALE DRAWING SCALE:1:1

SURFACE FINISH:

MATERIAL: PC

PRODUCT NAME

TOLERANCES:

RoHS Regulation Applied

CONDUR® CLIP

LINEAR: 1%

ANGULAR: 1%

COMMENTS:

DWG NO.

4003-M-1**K KOUVIDIS®**

A

A

DRAWN

NAME

DATE

The rights of KOUVIDIS intellectual property upon this document are protected by Greek and European law against their use, usurpation, reproduction, trade, alteration, transmission, copy, transfer, distribution, re-publication by third parties and by any means of reason without the express prior written consent or authorization of KOUVIDIS. KOUVIDIS reserves all legal rights against anyone violating its rights as same have been explicitly mentioned above.

1

N.Kargatzis

28/05/2020

SHEET 1 OF 1

A4

4

3

2

1