

4

3

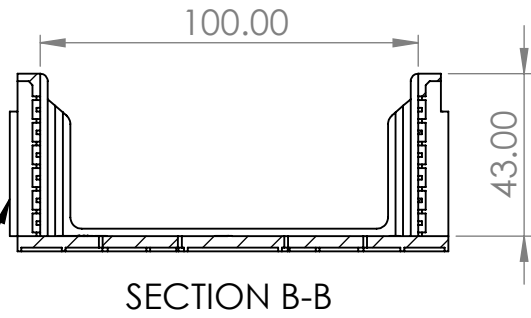
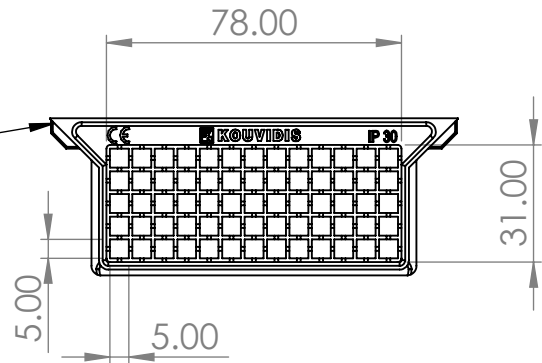
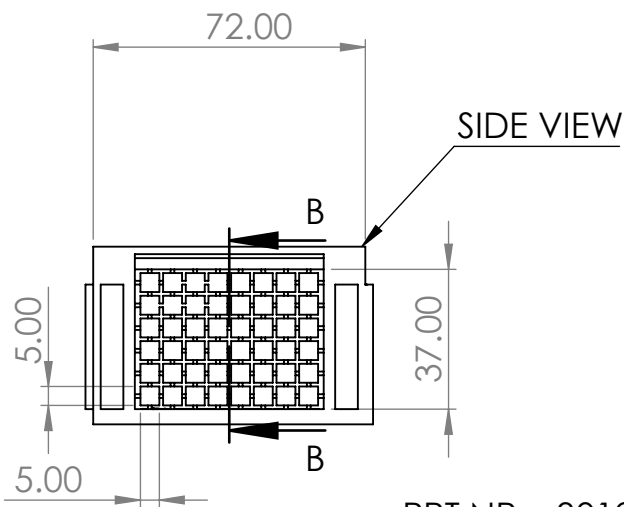
2

1

F

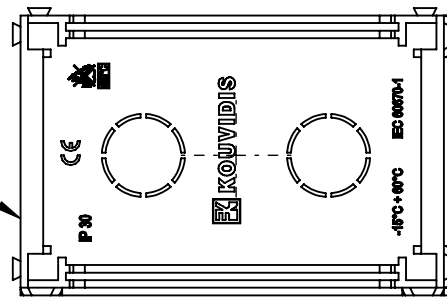
F

PRT.NR. : 3012002



PRT.NR. : 3012004

TOP VIEW

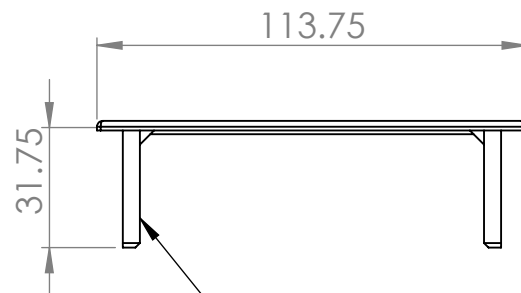
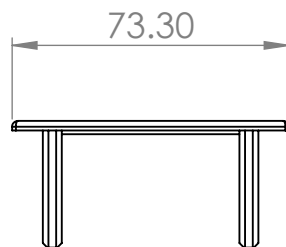


D

D

C

C



PRT.NR. : 3112001

B

B

UNLESS OTHERWISE SPECIFIED:  
DIMENSIONS ARE IN MILLIMETERS

STANDARDS: EN 60670-22

DO NOT SCALE DRAWING

SCALE:1:2

COLOR: BLUE RAL 5019 BOX, WHITE RAL 9016 COVER

PRODUCT NAME

SURFACE FINISH: N/A

MATERIAL: HIPS (BOX) , PP (COVER PLATE)

**MULTIBOX**

TOLERANCES:

RoHS Regulation Applied

LINEAR: 1%

INGRESS PROTECTION: IP 30

ANGULAR: 1%

PRT.NRS: 3012004, 3112001, 3012002

COMMENTS:

DWG NO.

**3012-M-1****KOUVIDIS**

A

A

DRAWN

NAME

DATE

The rights of KOUVIDIS intellectual property upon this document are protected by Greek and European law against their use, usurpation, reproduction, trade, alteration, transmission, copy, transfer, distribution, re-publication by third parties and by any means of reason without the express prior written consent or authorization of KOUVIDIS. KOUVIDIS reserves all legal rights against anyone violating its rights as same have been explicitly mentioned above.

1

N.Kargatzis

28/05/2020

SHEET 1 OF 1

A4

4

3

2

1