

4

3

2

1

F

F

E

E

D

D

C

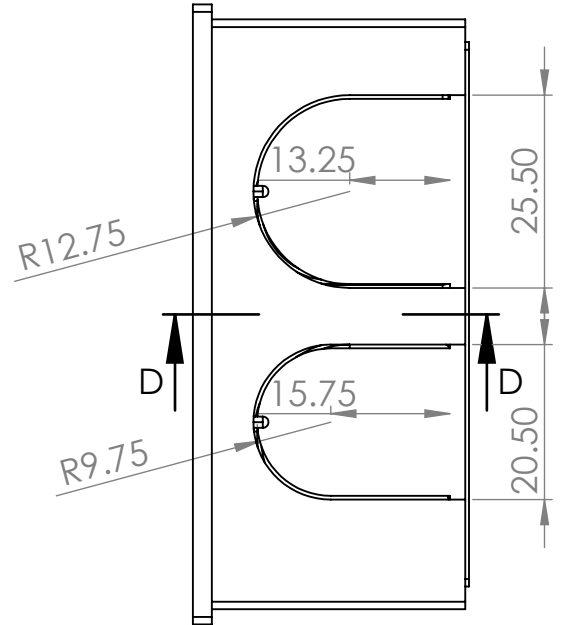
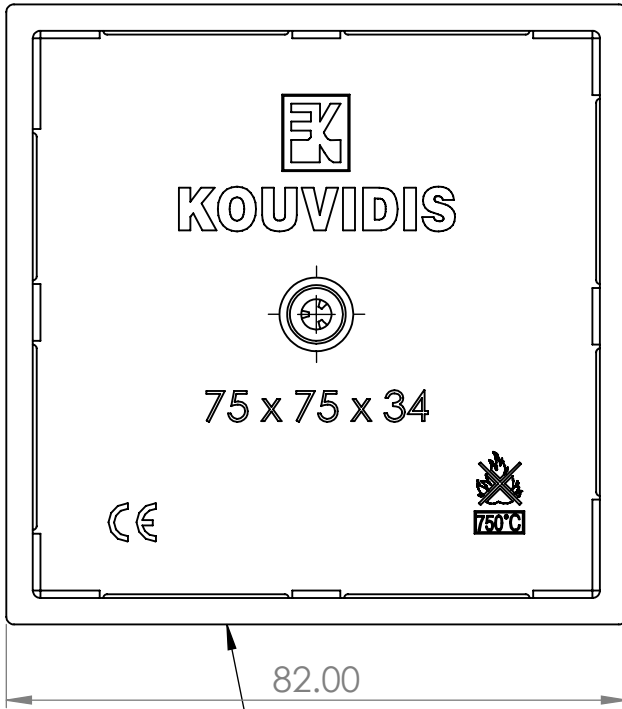
C

B

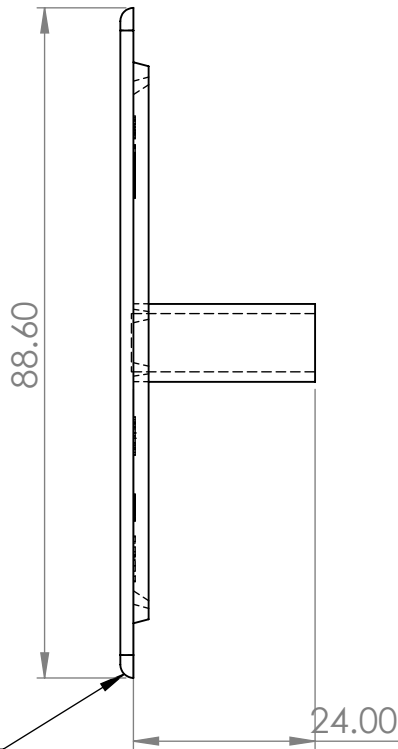
B

A

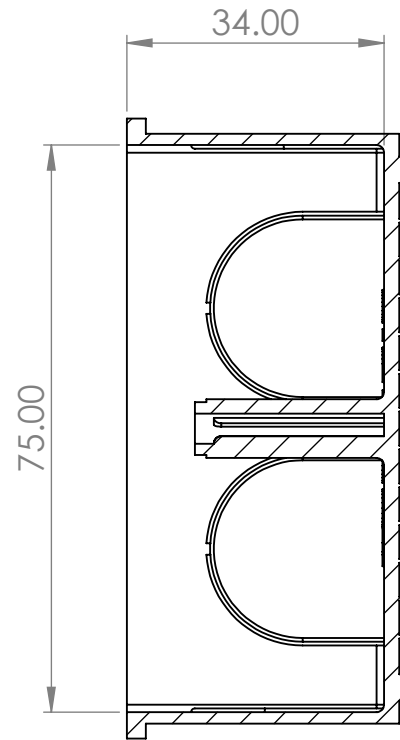
A



PRT.NO. : 3010102



PRT.NO. : 3110002



SECTION D-D

UNLESS OTHERWISE SPECIFIED:  
DIMENSIONS ARE IN MILLIMETERS

STANDARDS: EN 60670-22

DO NOT SCALE DRAWING

SCALE:1:1

COLOR: BLUE RAL 5019, WHITE RAL 9016

PRODUCT NAME

SURFACE FINISH: N/A

MATERIAL: HIPS (BOX) , PP (COVER PLATE)

**JUNCTION BOX  
SQUARE 7.5X7.5**

TOLERANCES:

RoHS Regulation Applied

LINEAR: 1%

ANGULAR: 1%

PRT.NRS: 3010102, 3110002

COMMENTS:

DWG NO.

3010S-M-1

**KOUVIDIS**

DRAWN

NAME

DATE

The rights of KOUVIDIS intellectual property upon this document are protected by Greek and European law against their use, usurpation, reproduction, trade, alteration, transmission, copy, transfer, distribution, re-publication by third parties and by any means of reason without the express prior written consent or authorization of KOUVIDIS. KOUVIDIS reserves all legal rights against anyone violating its rights as same have been explicitly mentioned above.

1

N.Kargatzis

28/05/2020

SHEET 1 OF 1

A4

4

3

2

1