

4

3

2

1

F

F

E

E

D

D

C

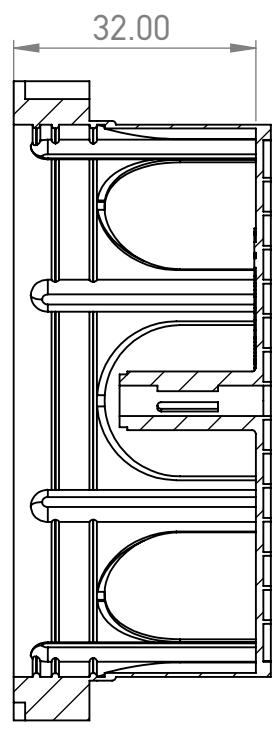
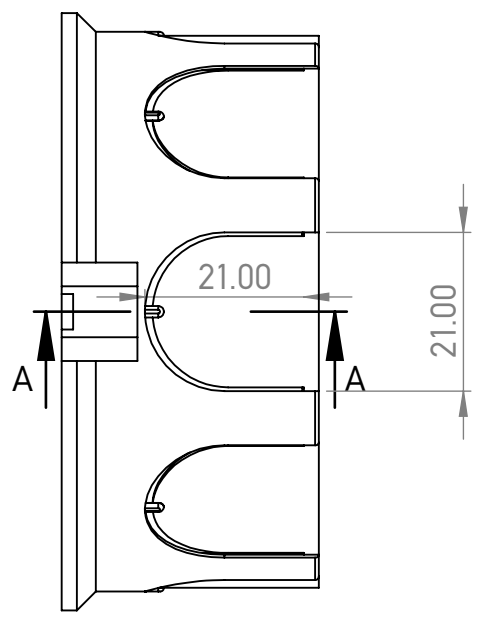
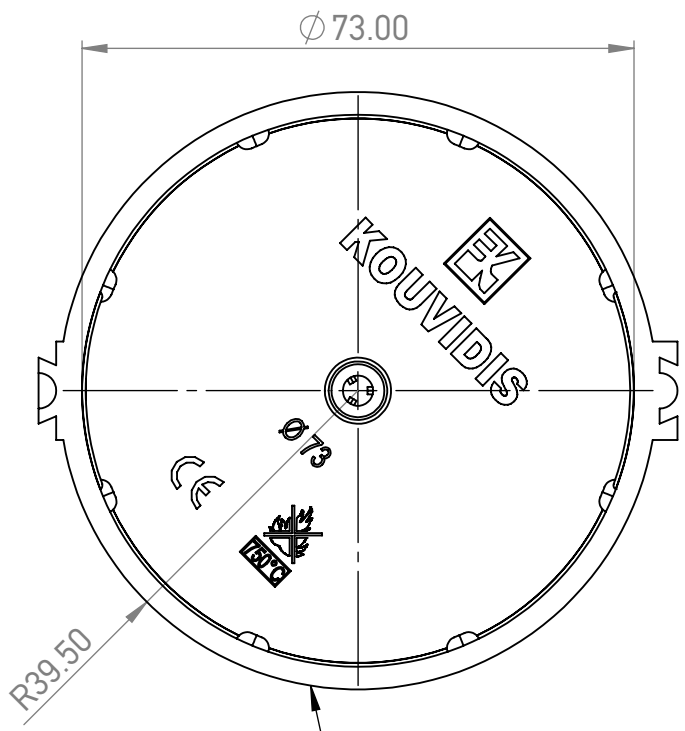
C

B

B

A

A



SECTION A-A

PRT. NR. : 3010103

PRT. NR. : 3110001

81.00

30.00

UNLESS OTHERWISE SPECIFIED: DIMENSIONS ARE IN MILLIMETERS			STANDARDS:	EN 60670-22	DO NOT SCALE DRAWING	SCALE:1:1
SURFACE FINISH:			COLOR:	YELLOW RAL 1023 , WHITE RAL 9016	PRODUCT NAME	
TOLERANCES:			MATERIAL:	HIPS (BOX) , PO blend (COVER PLATE)	<h1>JUNCTION BOX ROUND Ø73</h1>	
LINEAR: 1%			RoHS Regulation	Applied		
ANGULAR: 1%			PRT.NRS:	3010101, 3110001		
COMMENTS:			DWG NO.	<h1>3010R-M-1</h1>		
DRAWN			NAME	DATE		
1			M.Charkiolakis	01/02/2024		
The rights of KOUVIDIS intellectual property upon this document are protected by Greek and European law against their use, usurpation, reproduction, trade, alteration, transmission, copy, transfer, distribution, re-publication by third parties and by any means of reason without the express prior written consent or authorization of KOUVIDIS. KOUVIDIS reserves all legal rights against anyone violating its rights as same have been explicitly mentioned above.						
SHEET 1 OF 1						A4

4

3

2

1