

4

3

2

1

F

F

E

E

D

D

C

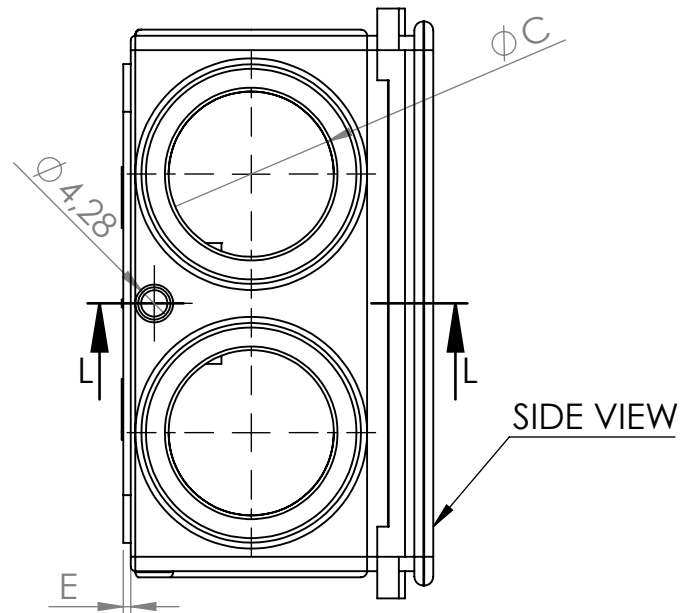
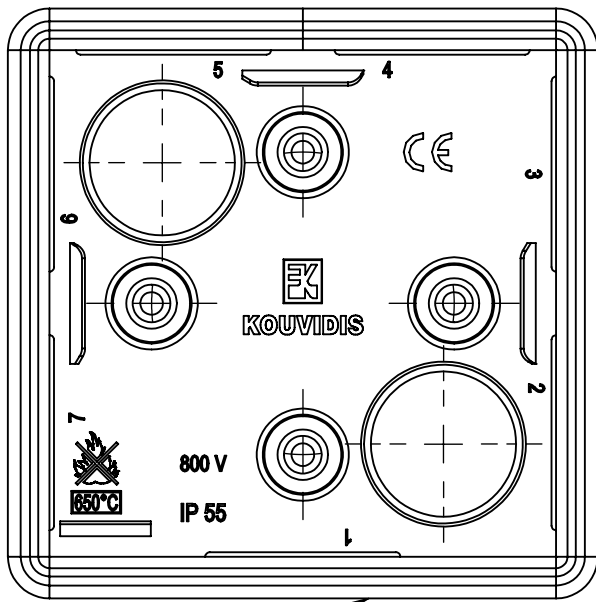
C

B

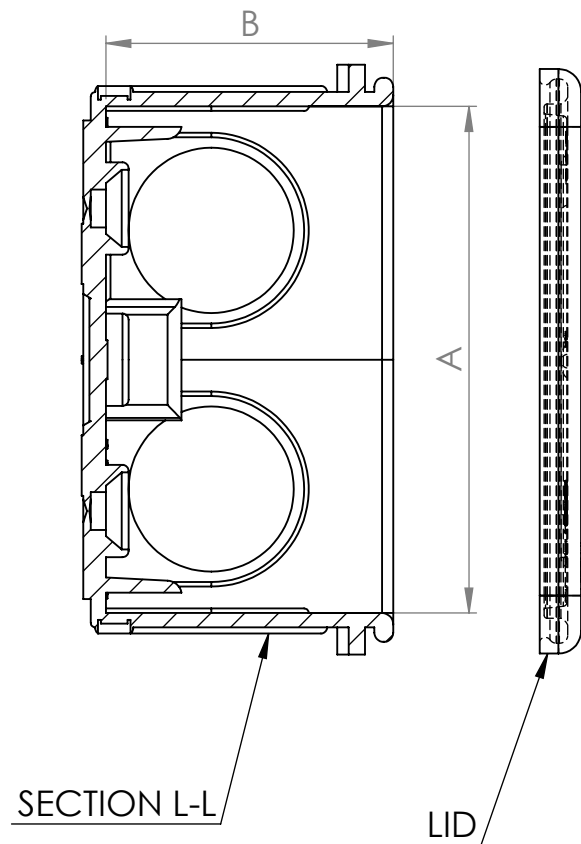
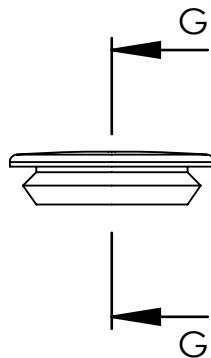
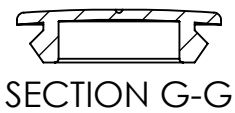
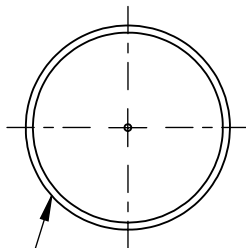
B

A

A



TOP VIEW



Prt.Nr.	A	B	C	D	E
3001016	67	38	21.6	40	1
3001020	82	43	21.6	47	2
3001025	101	51	35.1	49	1
Units	mm	mm	mm	mm	mm

UNLESS OTHERWISE SPECIFIED:
DIMENSIONS ARE IN MILLIMETERS

STANDARDS: EN 60670-22
COLOR: GREY RAL 7035

DO NOT SCALE DRAWING SCALE: 1:1

SURFACE FINISH: N/A

MATERIAL: PC

PRODUCT NAME

TOLERANCES:

RoHS Regulation Applied

**CONDUR® JUNCTION BOX
WITH PLUG-IN SEALS**

LINEAR: 1%

INGRESS PROTECTION: IP 55

ANGULAR: 1%

COMMENTS:

DWG NO.

3001-M-1

KOUVIDIS®

DRAWN

NAME

DATE

The rights of KOUVIDIS intellectual property upon this document are protected by Greek and European law against their use, usurpation, reproduction, trade, alteration, transmission, copy, transfer, distribution, re-publication by third parties and by any means of reason without the express prior written consent or authorization of KOUVIDIS. KOUVIDIS reserves all legal rights against anyone violating its rights as same have been explicitly mentioned above.

1

N.Kargatzis

28/05/2020

SHEET 1 OF 1

A4

4

3

2

1