

4

3

2

1

F

F

E

E

D

D

C

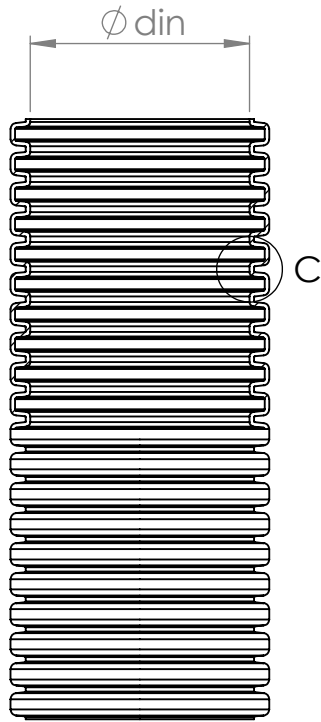
C

B

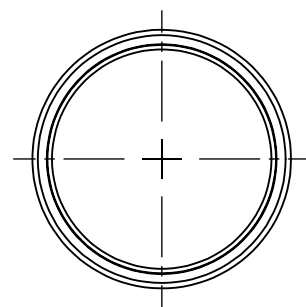
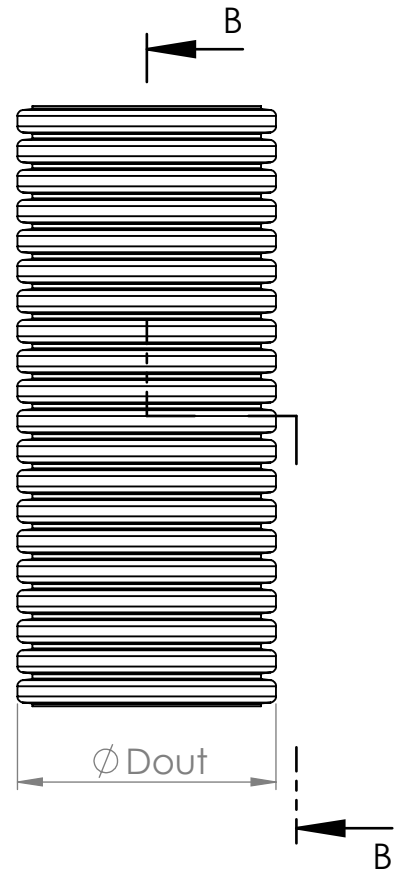
B

A

A



SECTION B-B

DETAIL C
SCALE 2 : 1

Prt.Nr.	\varnothing	Dout	din
2012011	11	16.0	10.7
2012013	13.5	18.6	13.6
2012016	16	21.1	16.1
2012023	23	28.2	22.7
2012029	26	34.3	28.2
Units	mm	mm	mm

UNLESS OTHERWISE SPECIFIED:
DIMENSIONS ARE IN MILLIMETERSSTANDARDS: EN 61386.22
COLOR: BLUE RAL 5019

DO NOT SCALE DRAWING SCALE:1:1

SURFACE FINISH:

MATERIAL: U-PVC

PRODUCT NAME

TOLERANCES:

RoHS Regulation Applied

DUROFLEX[®]

LINEAR: 1%

ANGULAR: 1%

COMMENTS:

DWG NO.

2012-M-1


KOUVIDIS

DRAWN

NAME

DATE

The rights of KOUVIDIS intellectual property upon this document are protected by Greek and European law against their use, usurpation, reproduction, trade, alteration, transmission, copy, transfer, distribution, re-publication by third parties and by any means of reason without the express prior written consent or authorization of KOUVIDIS. KOUVIDIS reserves all legal rights against anyone violating its rights as same have been explicitly mentioned above.

1

N.Kargatzis

28/05/2020

SHEET 1 OF 1

A4

4

3

2

1